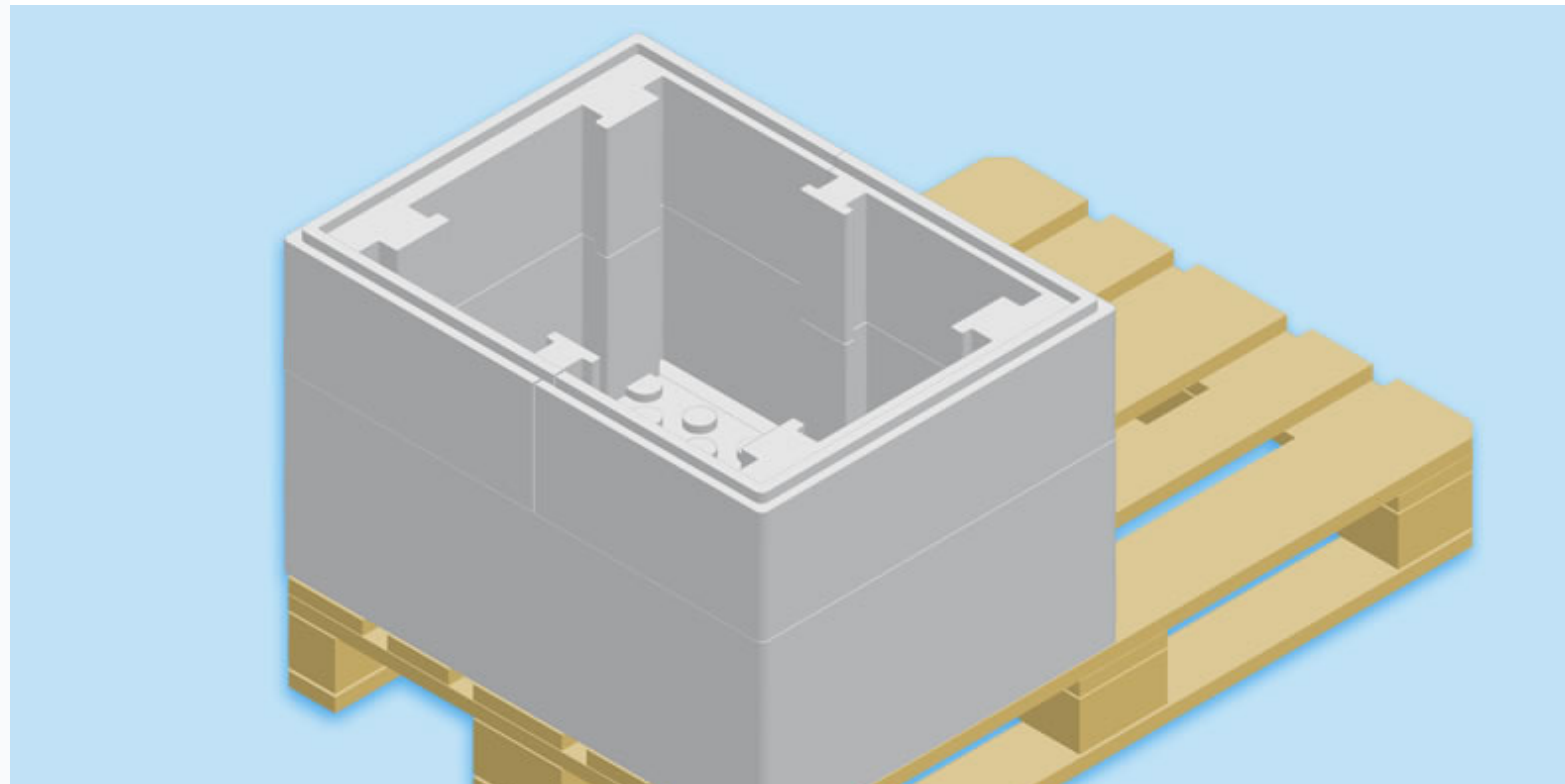


Dear Katharina Zeilfelder

... the coronavirus has brutally upended this historic year of 2020 and made the notion "business as usual" as distant as the outer planets of our solar system. But it makes us all the happier that we have managed to bring two important innovations to market despite the obstacles the pandemic has put in our way.



There's, for one, the **PROTECT 1/2 Euro Pallet Shipper**, available as of now. Rarely has a new packaging been waited for so eagerly. It closes the gap between the 22-liter PROTECT system packaging and the 172-liter PROTECT Euro Pallet Shipper. Just like all its "sisters", this new box is of a modular design and offers three possible interior volumes: **49, 95 or 141 liters**.

Oil is out, sugar cane waste material is in

Should you already be using eutecma products, you certainly know that the **ICECATCH® passive energy storage elements** fit snugly into the stacking frame of the PROTECT boxes. Starting in 2021, we will be increasing the proportion of bio-based plastic in the PA/PE composite film of our cool bricks from 0 to 50 %. The production of this "green polyethylene" does not displace food but smartly uses waste material from sugar cane production. Important fact for you: **The quality of our cool bricks remains as high as ever and you won't require any requalification.**



By the way: The initial idea to look into the possibility of using sugar cane based plastics originally came from one of our customers. And that is exactly the silver lining of the dark pandemic cloud we were looking for. Through intensive dialog we can weather this crisis together. **Let's stay in touch and challenge us – with tricky problems and complex packaging tasks!** And, please, stay healthy!

[Read the detailed article and watch the explanatory film here](#)

*Kind regards,
your eutecma-Team*

How can we help you?

Inquire about individual cooling solutions:
Tel. +49 621 1282526 0

[eutecma_gmbh](#) · Binnenhafenstraße 7 · 68159 Mannheim | [contact](#) | [imprint](#)

This email was sent to produktion@cosa-logo.de.
You have received this email because you have registered on eutecma.com.

[Abmelden](#)

